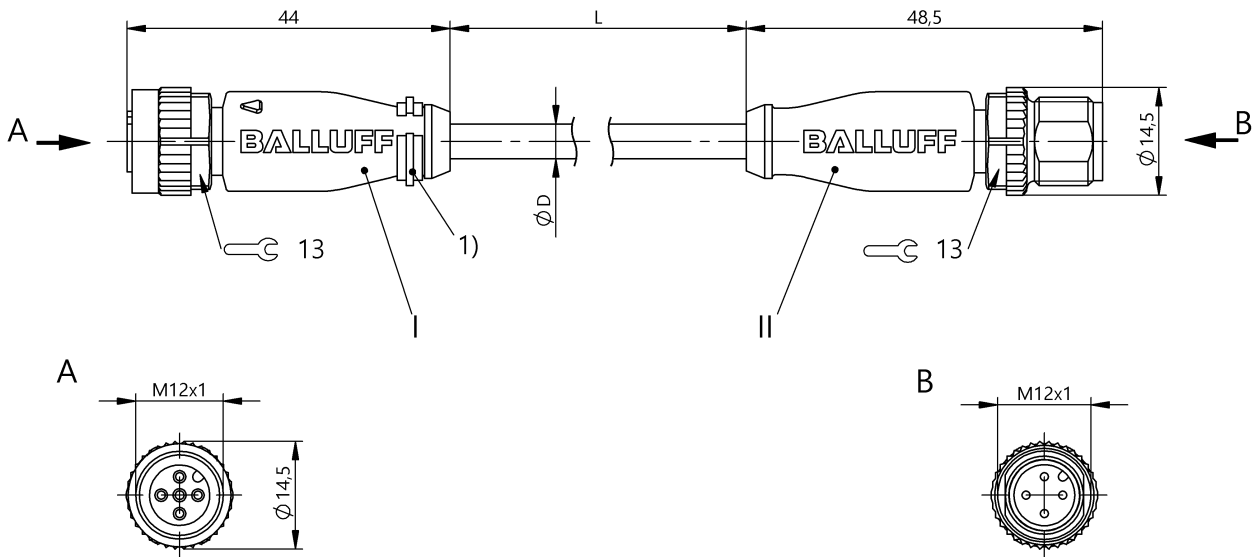


Double-Ended Cordsets  
**BCC M415-M414-3A-711-PX0434-1D5**  
**Order Code: BCC0FJZ**

**BALLUFF**



1) Identification clip beige



**Basic features**

Approval/Conformity	CE WEEE
---------------------	------------

**Electrical connection**

Bending radius min., fixed cable	5 x D
Bending radius min., flexible cable	10 x D
Cable	PUR black, 0.15 m, drag chain compatible
Cable diameter D	4.70 mm ±0.20 mm
Cable, bending cycles min.	5 mil.
Cable, torsion stress	±180°/m
Conductor cross-section	0.34 mm <sup>2</sup>
Connection 1	M12x1-Female, straight, 5-pin, A-coded
Connection 2	M12x1-Male, straight, 4-pin, A-coded
Number of conductors	4
System	Molded/Molded

**Electrical data**

Operating voltage U <sub>b</sub>	60 VDC / 60 VAC
Rated current (40 °C)	4.0 A

**Environmental conditions**

Cable temperature UL max., fixed routing	80 °C
Cable temperature UL max., flexible routing	80 °C
Cable temperature, drag chain	-25...60 °C
Cable temperature, fixed routing	-50...90 °C
Cable temperature, flexible routing	-25...90 °C
IP rating	IP67, IP68, IP69K/IP67, IP68, IP69K

**Interface**

Switching output	Complementary
------------------	---------------

**Material**

Cable jacket, material	PUR
Material contact carrier	PUR/PUR
Material contacts	Bronze/Brass
Material cover nut	Die-cast zinc/Die-cast zinc
Material grip	PUR/PUR

Double-Ended Cordsets  
**BCC M415-M414-3A-711-PX0434-1D5**  
**Order Code: BCC0FJZ**



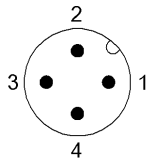
**Mechanical data**

<p><b>Acceleration max., drag chain</b> 5 m/s<sup>2</sup></p> <p><b>Cable jacket, color</b> black</p> <p><b>Cable length L</b> 0.15 m</p> <p><b>Cable properties</b> drag chain compatible</p>	<p><b>Horizontal travel permitted, drag chain</b> 5 m</p> <p><b>Tightening torque pigtail</b> 0.6 Nm/0.6 Nm</p> <p><b>Traverse speed max., drag chain</b> 200 m/min</p> <p><b>Vertical travel permitted, drag chain</b> 5 m</p>
--	---

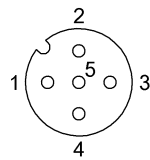
**Remarks**

Cable construction acc. to UL-AWM Style 20549  
 Halogen-free per DIN VDE 0472 Part 815  
 Silicone-free  
 Flame-retarding acc. to IEC 60332-2  
 Enclosure rating per IEC 60529 or 20653, only in screwed state with the associated mating piece.

**Connector Drawings**



II  
 PIN 1: brown  
 PIN 2: white  
 PIN 3: blue  
 PIN 4: black



I  
 PIN 1: brown  
 PIN 2: white  
 PIN 3: blue jumpered  
 PIN 4: black  
 PIN 5: blue jumpered

**Wiring Diagrams**

